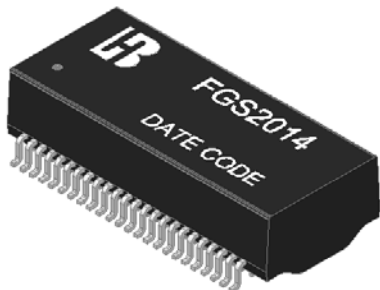


**2.5G/5G BASE – T DUAL PORT
MAGNETICS MODULES
P/N: FGS2014 DATA SHEET**



Feature

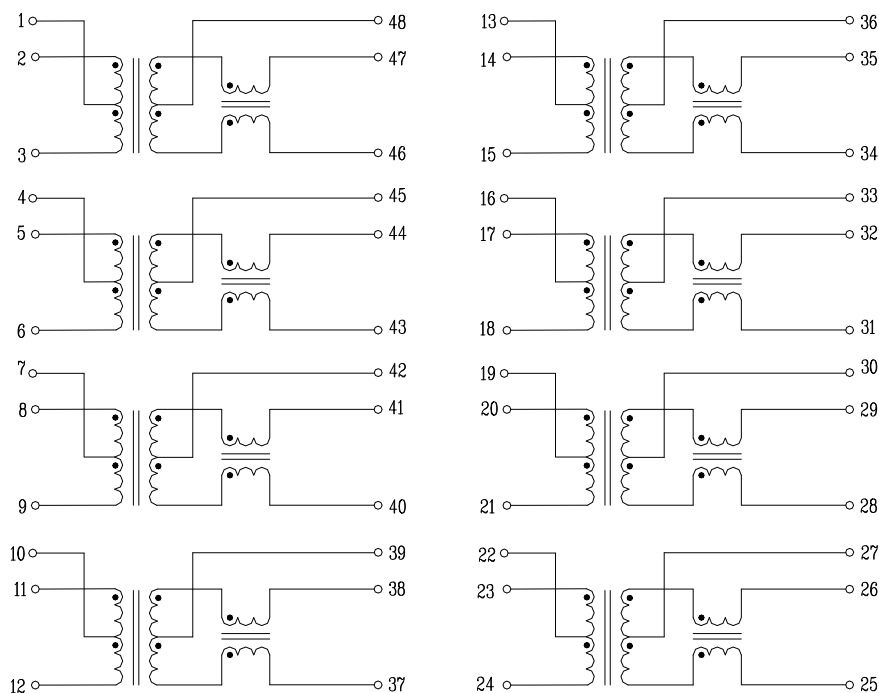


- Design for 5G ethernet application.
- Unsupported Poe application
- Complying with ROHS & Halogen Free requirements.
- Operating temperature range: 0°C to +70°C.
- Storage temperature range: -25°C to +85°C.

Electrical Specifications @ 25°C					
Part Number	Turns Ratio (±3%)		OCL (uH Min) @100KHz/0.1V	Cross talk (dB Min)	HI-POT (Vrms)
	TX	RX		1 ≦ f ≦ 250 MHz	
FGS2014	1CT:1CT	1CT:1CT	180	-(43.1 – 20 log ₁₀ (f/ 100))	1500

Continue						
Part Number	Insertion Loss (dB Max)		Return Loss (dB Min)@ Load 100Ω		DCMR (dB Min)	
	1 ≦ f ≦ 100 MHz	100 < f ≦ 250 MHz	1 ≦ f ≦ 40 MHz	40 < f ≦ 250 MHz	1 < f ≦ 30 MHz	30 < f ≦ 250 MHz
FGS2014	-1.0	-2.0	-16	-(16-10 log ₁₀ (f/40))	-48	-(44-19.2 log ₁₀ (f/50))

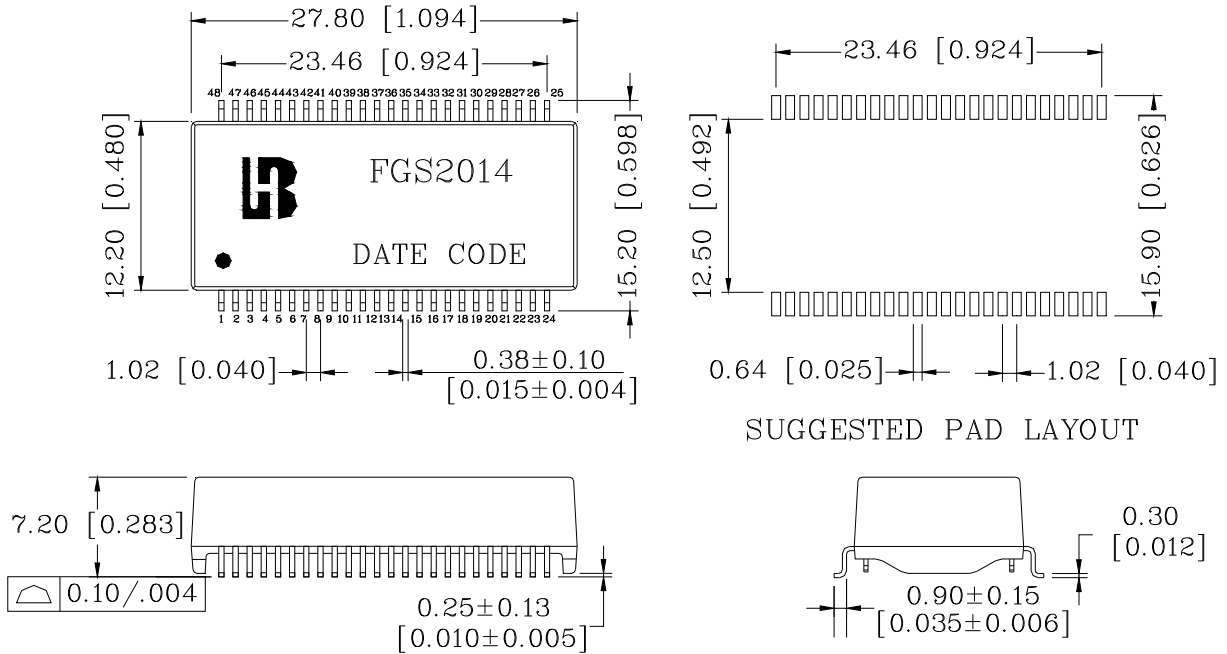
Schematic



**2.5G/5G BASE - T DUAL PORT
MAGNETICS MODULES
P/N: FGS2014 DATA SHEET**



Mechanical



Units: mm[Inches] Tolerance: xx.x0±0.25[0.010]
0.xx±0.05[0.002]